



Cod.1099/421

## IP 5M, Motorized 2.7-13.5mm, bullet camera

### TECHNICAL FEATURES

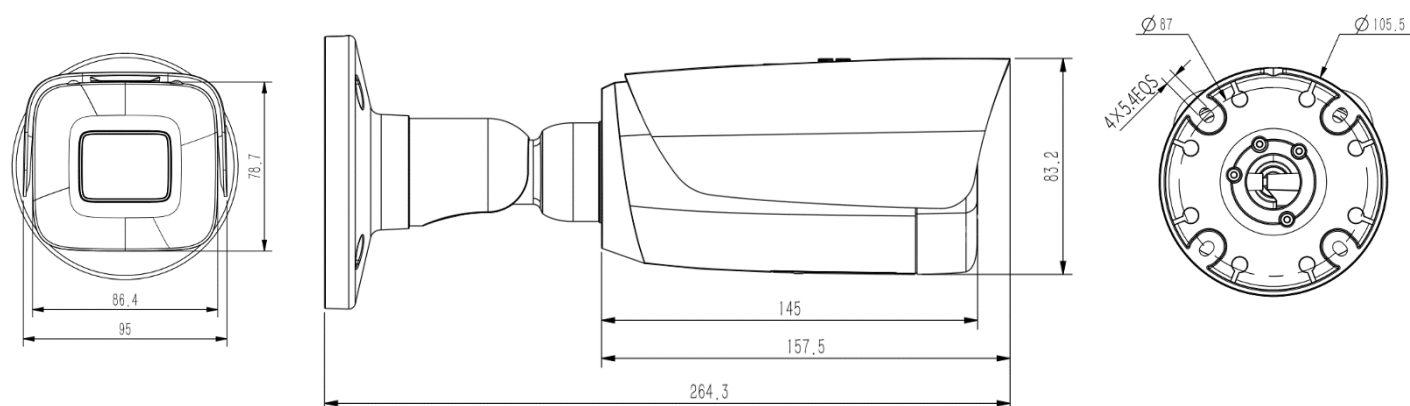
- Full Metal Housing
- Motorized Lens 2.7-13.5mm
- Up 2592x1944@30fps, 1920x1080@60fps
- S+265/H.265/H.264/M-JPEG
- Min. illumination Color: 0.001Lux@F1.6
- Smart IR, IR Range: 80m
- Support Video Analytics
- Support Human/Vehicle Classification
- Support Face Capture Mode
- Audio I/O 1/1, alarm I/O 2/1
- Plugin Free
- Operating Conditions -35°C~65°C, 0~95% RH
- POE, IP67

Camera	
Image Sensor	1/2.8" CMOS
Signal System	PAL/NTSC
Min. Illumination	Color: 0.001Lux@ (F1.6, ACG ON), B/W: 0Lux with IR
Shutter Time	1s to 1/100,000s
Day & Night	Dual IR Cut Filter with Auto Switch
Wide Dynamic Range	120dB
Angle Adjustment	Bracket, pan 0~360°, tilt 0~75°, roate 0~360°
Lens	
Lens Type	Motorized
Focus	2.7-13.5mm
Lens Mount	14
Aperture	F1.6~F3.3, Fixed
FOV	Horizontal field of view: 103.4°~23.8°
Illuminator	
IR LEDs	4
IR Range	Up to 80m
Wavelength	850nm
White/Warmlight LEDs	N/A
Compression Standard	
Video Compression	S+265/H.265/H.264/M-JPEG
Video Bit Rate	32Kbps~16Mbps
Audio Compression	G.711A/G.711U/ADPCM/AAC
Audio Bit Rate	8K~48Kbps
Image	
Max. Resolution	2592×1944
Main Stream	PAL: 25fps (2592×1944, 2592×1520, 2560×1440, 2304×1296), 50fps (1920×1080, 1280×720) NTSC: 30fps (2592×1944, 2592×1520, 2560×1440, 2304×1296), 60fps (1920×1080, 1280×720)
Sub Stream	PAL: 25fps (704×576, 704×288, 640×480, 352×288) NTSC: 30fps (704×480, 704×240, 640×480, 352×240)
Third Stream	PAL: 25fps(1920×1080, 1280×720, 704×576, 704×288, 640×480, 352×288) NTSC: 30fps(1920×1080, 1280×720, 704×480, 704×240, 640×480, 352×240)
Image Setting	Saturation, brightness, contrast, sharpness, adjustable by client software or web browser
Image Enhancement	BLC/3D DNR/HLC/Corridor Format
ROI	Support 8 fixed regions of coding
OSD	16 16, 24 24, 32 32, 48 48, 64x64, 96x96, adaptable size, Letters Such as Week, Date, Time, Total 8 Regions
Picture Overlay	Yes
Privacy Mask	Yes, 8 regions
Smart Defog	Yes
Feature	
Alarm Trigger	Event Input, Event Output, Motion Detection, Mask Alarm, Disk Full, Disk R/W Error, IP Address Conflict, MAC Address Conflict, FTP Server Exception
Video Analytics	Tripwire, Double Tripwire, Perimeter, Object Abandon, Object Lost, Loitering, Running, Parking, Crowded, People Counting, On Duty Detection, Video Abnormal, Audio Abnormal, Heatmap, Face Capture(Face Detection), Safety Helmet Detection, Human/Vehicle Classification
Early Warning(EW)	N/A

Network	
<b>ANR</b>	Yes, auto store video in SD card when NVR disconnected, and upload video to NVR when resumed connection
<b>Protocols</b>	TCP/IP, ICMP, HTTP, HTTPS, DHCP, DNS, DDNS, RTP, RTSP, RTCP, PPPoE, MULTICAST, UPnP, FTP, IPV4, NTP, SMTP, IGMP, 802.1x, QoS, IPV6, ARP, UDP, SNMP, SSL, SIP, Telnet, SNTTP, RTMP, SFTP, NFS
<b>System Compatibility</b>	ONVIF (PROFILE S/T/G), SDK, Milestone, CGI, P2P
<b>Remote Connection</b>	7
<b>Client</b>	Neius Control
<b>Web Version</b>	Web6
Interface	
<b>Communication Interface</b>	1 RJ45 10M/ 100M self adaptive Ethernet port, RS 485
<b>Audio</b>	1/1
<b>Alarm</b>	2/1
<b>Reset Button</b>	Yes
<b>On-board storage</b>	Built-in Micro SD card slot, up to 512 GB
General	
<b>Firmware Version</b>	-
<b>Web Client Language</b>	15 languages English, Russian, Spanish, Korean, Italian, Turkish, Simple Chinese, Traditional Chinese, Thai, French, Polish, Dutch, Hebraism, Arabic, Vietnamese
<b>Operating Conditions</b>	-35 ~ 65 , 0~95% RH
<b>Power Supply</b>	DC12V±25%/PoE
<b>Power Consumption</b>	MAX: 8.5W (12V) MAX: 10W (PoE)
<b>Protection</b>	IP67, Lightning protection, surge protection and voltage transient protection meets EN 55035:2017
<b>Heater</b>	N/A
<b>Dimensions</b>	264.3 95 83.2mm
<b>Weight</b>	1.15kg

## 1099/421 IP 5M, Motorized 2.7-13.5mm, bullet camera

### DIMENSIONS (mm)



### ACCESSORIES



3000/140  
Junction box small size



3000/131  
Junction box



3000/147  
Pole adapter



3000/145  
Corner adapter

*Technical specifications are subject to changes without notice.*

**Urmet S.p.A.** | Via Bologna, 188/C | 10154 TORINO (ITALY)

T +39 011.24.00.000

info@urmet.com | [urmet.com](http://urmet.com)

**CUSTOMER SERVICE** +39 011.23.39.810