



Cod.1099/520

## IP 5M, Starlight IR bullet camera

### TECHNICAL FEATURES

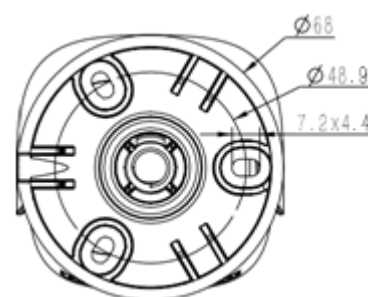
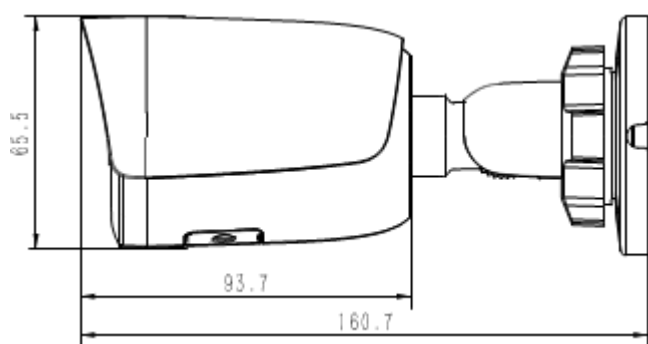
- Default: Metal+Plastic, M: Metal Housing
- Up to 2592x1944@20fps
- S+265/H.265/H.264
- Min. illumination Color: 0.002Lux@F1.6
- 120dB WDR
- Smart IR, IR Range: 50m
- Support tripwire and perimeter
- Built-in Mic, SD Card Slot, Reset Button
- Operating Conditions -35°C~65°C, 0~95%RH
- POE, IP67

Camera	
Image Sensor	1/2.8" CMOS
Signal System	PAL/NTSC
Min. Illumination	Color: 0.002Lux@ (F1.6, ACG ON), B/W: 0Lux with IR
Shutter Time	1s to 1/100,000s
Day & Night	Dual IR Cut Filter with Auto Switch
Wide Dynamic Range	120dB
Angle Adjustment	Bracket, pan 0~360°, tilt 0~75°, rotate 0~360°
Lens	
Lens Type	Fixed
Focus	2.8mm
Lens Mount	M12
Aperture	F1.6, Fixed
FOV	Horizontal field of view: 97.8°
Illuminator	
IR LEDs	2
IR Range	Up to 50m
Wavelength	850nm
White/Warmlight LEDs	N/A
Compression Standard	
Video Compression	S+265/H.265/H.264
Video Bit Rate	32Kbps~6Mbps
Audio Compression	G.711A/G.711U/ADPCM
Audio Bit Rate	8K~48Kbps
Image	
Max. Resolution	2592×1944
Main Stream	PAL: 20fps (2592×1944), 25fps (2592x1520, 2560x1440, 2304x1296, 1920×1080, 1280×720) NTSC: 20fps (2592×1944), 25fps (2592x1520, 2560x1440) 30fps (2304x1296, 1920×1080, 1280×720)
Sub Stream	PAL: 25fps (704×576, 704×288, 640×480, 352×288) NTSC: 30fps (704×480, 704×240, 640×480, 352×240)
Third Stream	N/A
Image Setting	Saturation, brightness, contrast, sharpness, adjustable by client software or web browser
Image Enhancement	BLC/3D DNR/HLC
ROI	N/A
OSD	16x 16, 32x 32, 48x 48, 64x64 adaptable size, Letters Such as Week, Date, Time, Total 3 Regions
Picture Overlay	N/A
Privacy Mask	Yes, 4 regions
Smart Defog	Yes
Feature	
Alarm Trigger	Motion Detection, Mask Alarm, IP AddressConflict
Video Analytics	Tripwire, Perimeter
Early Warning(EW)	N/A

Network	
<b>ANR</b>	Yes, auto store video in SD card when NVR disconnected, and upload video to NVR when resumed connection
<b>Protocols</b>	TCP/IP, HTTP, FTP, DHCP, DNS, DDNS, MULTICAST, IPV4, NTP, UDP, Telnet
<b>System Compatibility</b>	ONVIF (PROFILE S/T/G), SDK, CGI (IE), P2P
<b>Remote Connection</b>	7
<b>Client</b>	Neius Control
<b>Web Version</b>	Web5
Interface	
<b>Communication Interface</b>	1 RJ45 10M/ 100M self adaptive Ethernet port
<b>Audio</b>	Mic in
<b>Alarm</b>	N/A
<b>Reset Button</b>	Yes
<b>On-board storage</b>	Built-in Micro SD card slot, up to 512 GB
General	
<b>Firmware Version</b>	-
<b>Web Client Language</b>	15 languages English, Russian, Spanish, Korean, Italian, Turkish, Simple Chinese, Traditional Chinese, Thai, French, Polish, Dutch, Hebraism, Arabic, Vietnamese
<b>Operating Conditions</b>	-35°C ~ 65°C, 0 ~ 95% RH
<b>Power Supply</b>	DC12V±25%/PoE
<b>Power Consumption</b>	MAX: 6W (12V) MAX: 7W (PoE)
<b>Protection</b>	IP67
<b>Heater</b>	N/A
<b>Dimensions</b>	160.8×68×74.5mm
<b>Weight</b>	Metal+Plastic: 0.3Kg Metal: 0.48Kg

## 1099/520 IP 5M, Starlight IR bullet camera

### DIMENSIONS (mm)



### ACCESSORIES



3000/141  
Junction box



3000/147  
Pole adapter

*Technical specifications are subject to changes without notice.*

**Urmet S.p.A.** | Via Bologna, 188/C | 10154 TORINO (ITALY)

**T +39 011.24.00.000**

[info@urmet.com](mailto:info@urmet.com) | [urmet.com](http://urmet.com)

**CUSTOMER SERVICE +39 011.23.39.810**